

Project Hinge



NUMBER OF DOORS



INLAY DOOR SYSTEM



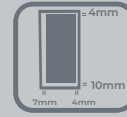
MAX. DOOR WEIGHT



DOOR THICKNESS



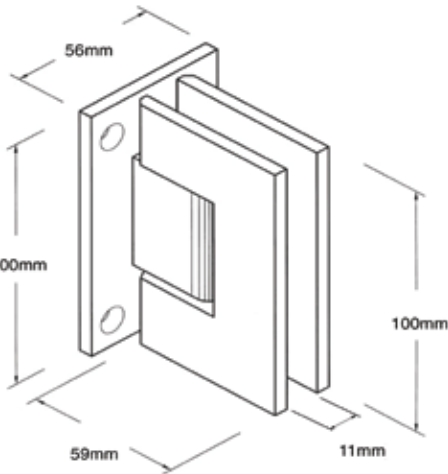
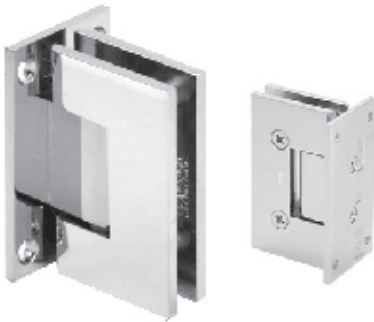
DOOR WIDTH



DOOR/FRAME GAP



WARRANTY



Borrow light from any room with easy to install Project Frameless Glass Doors

Applications

Residential
Commercial

Single or Double Doors
Available with fixed side panels
Can be incorporated into a partition.

FEATURES

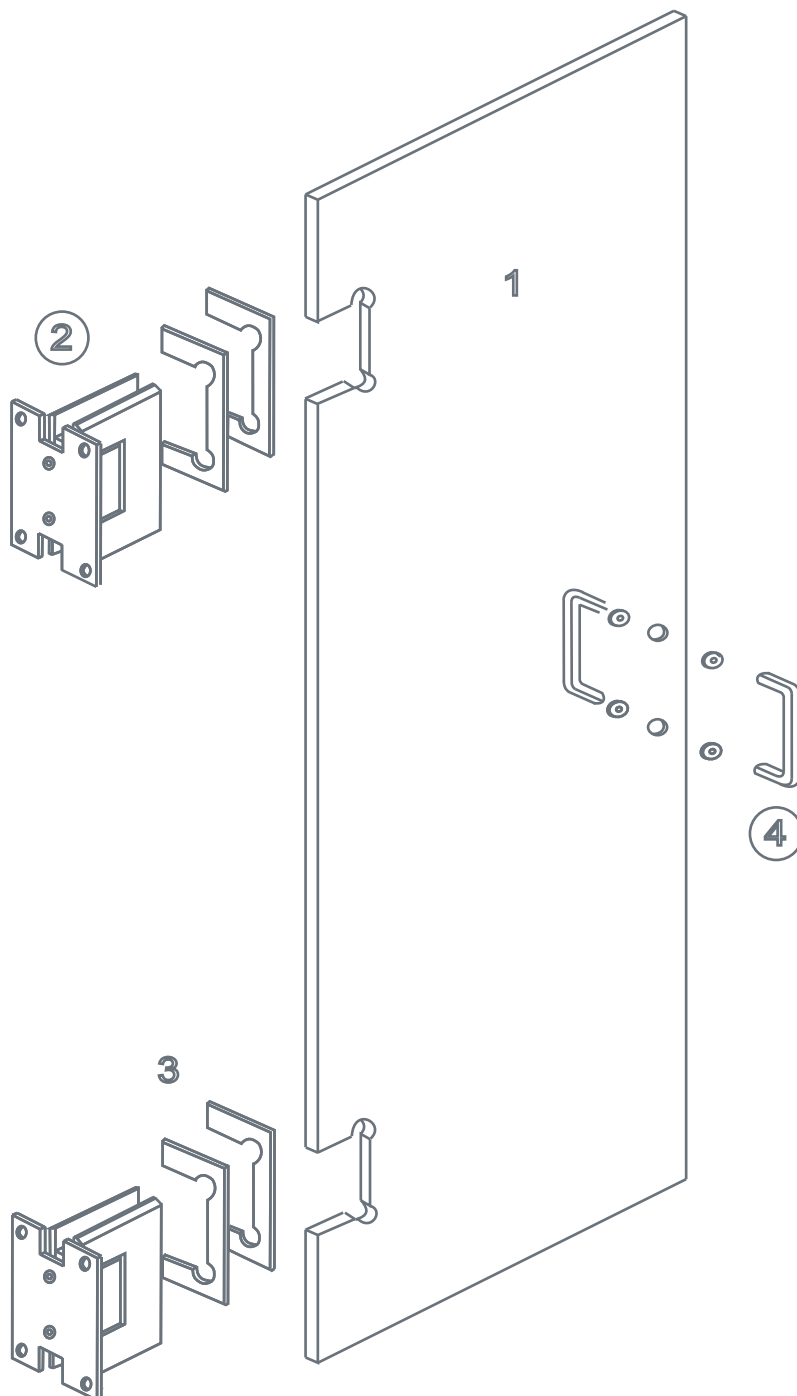
Double-action hinge, glass door opens 90 in and 90 out.

10mm Toughened Glass gives a structural architectural look & feel

Wide range of glass options including Clear, Ultra Clear, Obscure Sandblasted, Project Design and Tinted

Fittings finishes include Polished, Satin, Brass and Black

Project Hinge








- 1** 10mm Toughened Safety Glass to EN
UK manufactured
In line polished edges
Choice of finishes

- 2** **Wall Hinge**
Self centering at 15° of closing position
Solid brass construction
Choice of finishes
Double action (open inwards & outwards)

- 3** Rubber gaskets

- 4** **Handle options**
T Bar handle
D Handle
Square Handle
Polished hole
Knob

Glass Options

-  Clear
-  Low Iron
-  Obscure Sandblasted
-  Project Design (28 designs)
-  Tinted