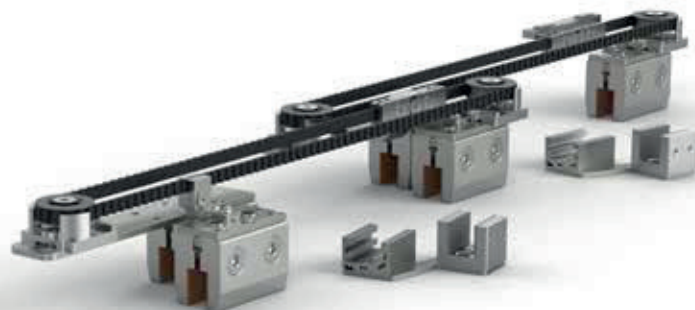




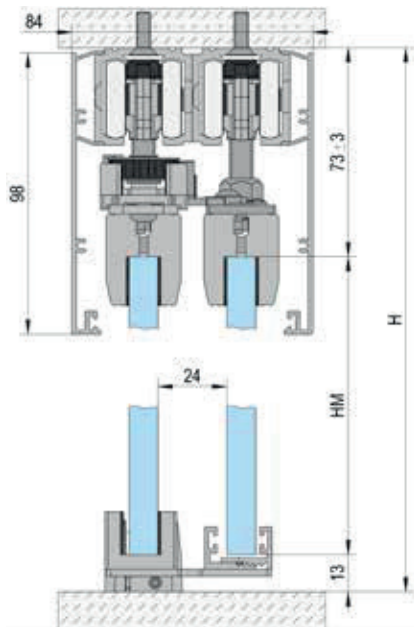
TELESCOPIC SOLUTION

Product highlights

- Simultaneous movement of double or triple leaf doors
- Floating floor guide
- Simple glass clamping mechanism for a secure hold
- Installation with or without fixed glazing
- Height adjustment ± 3 mm
- Smooth closing mechanism
- Safe anti-jump protection
- Optional metal damper with high-quality hydraulics and double-sided spring guide

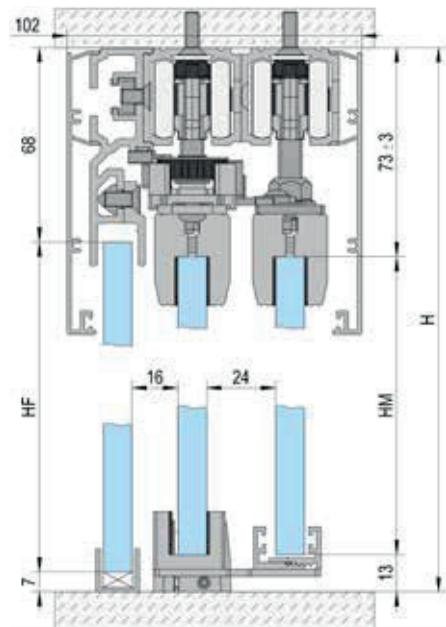


A



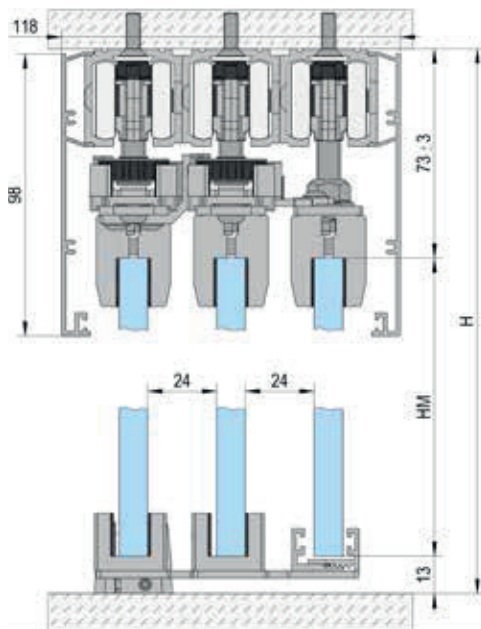
Ceiling mounting / 2-leaf

B



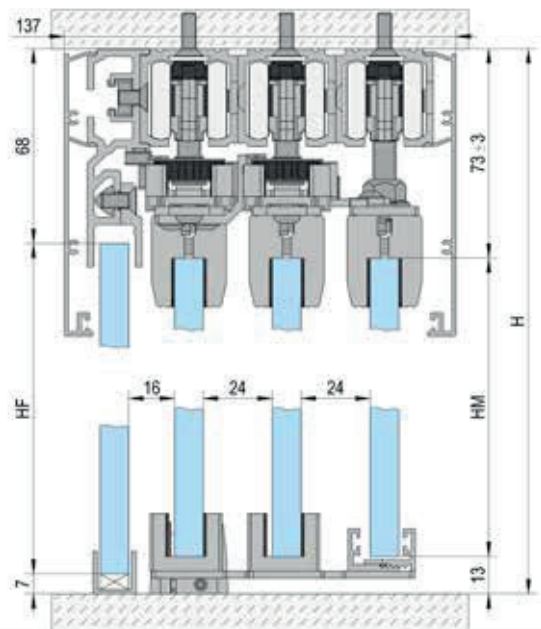
Ceiling mounting / 2-leaf / with fixed glazing

C



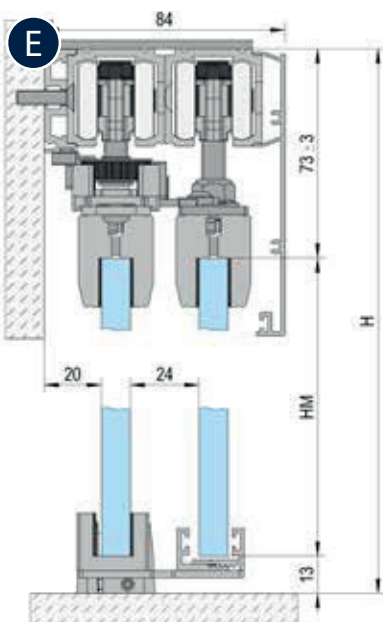
Ceiling mounting / 3-leaf

D



Ceiling mounting / 3-leaf / with fixed glazing

E



Wall mounting / 2-leaf

Glass height (HM) = H - 87 mm / Fixed sidelight (HF) = H - 75 mm

PRODUCT	A	B	C	D	E
Running Track 2/3/4/6m	2x	2x	3x	3x	2x
Supplementary profile for fixed sidelights 2m		*		*	
Wall distance profile					*
Accessory Set Telescope 2 doors	1x	1x			1x
Accessory Set Telescope 3 doors			1x	1x	
Carriages	2x	2x	3x	3x	2x
Carriages incl. damping mechanism**	4x**	4x**	6x**	6x**	4x**
Glass clamp	4x	4x	6x	6x	4x
Cover 98 mm height 2/3/4/6m	2x	2x	2x	2x	1x
Bottom guide	1x	1x	1x	1x	1x
Adaptor for wall mounting					*
U-Channels 2.5/5m		1x		1x	

* Quantity depends on the length of the runner.

** Alternative to roller unit BO 5800002 - The roller units are integrated in the retractable dampers. To install damping on both sides, two carriages are replaced by two retractable dampers.