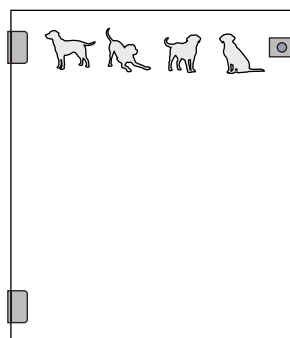
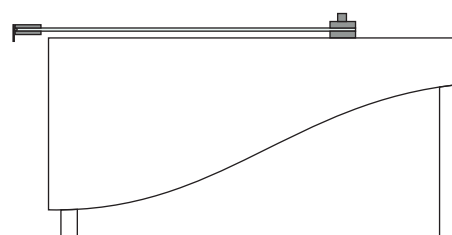


CLEARVIEW DOG GATE

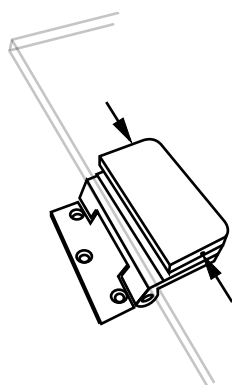
Changing your hinges...



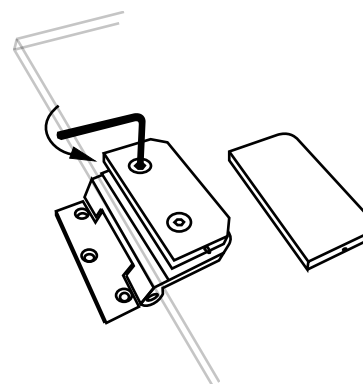
- ① Carefully lay your 'Dog Gate' onto a table or work surface
(protect the table/door with a towel or dustsheet)



- ② remove the hinge cover plates
by pushing the 'pins'



- ③ now take the hinge apart
* keep the 'gaskets clean *



- ④ flip the door over and replace the hinge
tighten the bolts and refit the cover plates

