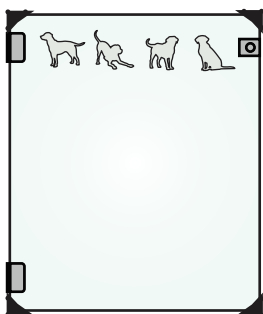


# CLEARVIEW

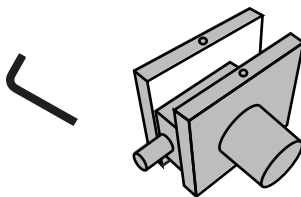
# DOG GATE

## Installation Guide

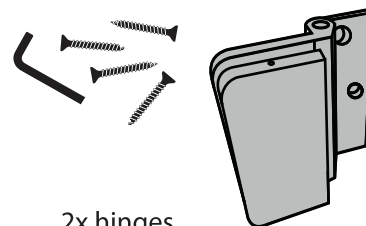
### supplied....



toughened glass door  
with protective corners



1x Thumb turn lock  
with gaskets and allen key



2x hinges  
with gaskets and fixings



2 x 80mm high wooden spacers



1x lock keep  
with fixings



### required....



tape measure



spirit level/ laser guide



pencil



10mm drill bit



2.5/3mm drill bit



screwdriver

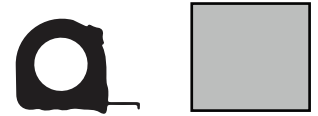
we recommend 2 person  
installation



1

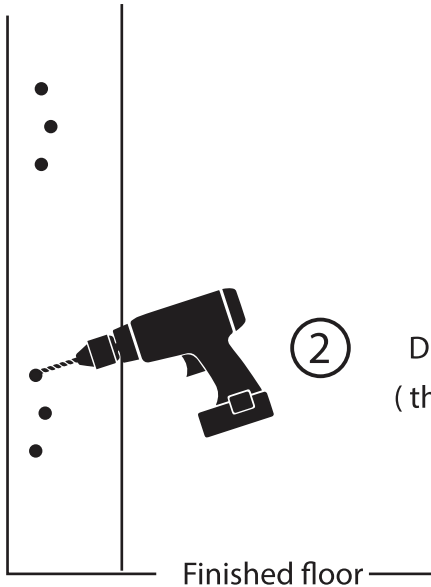
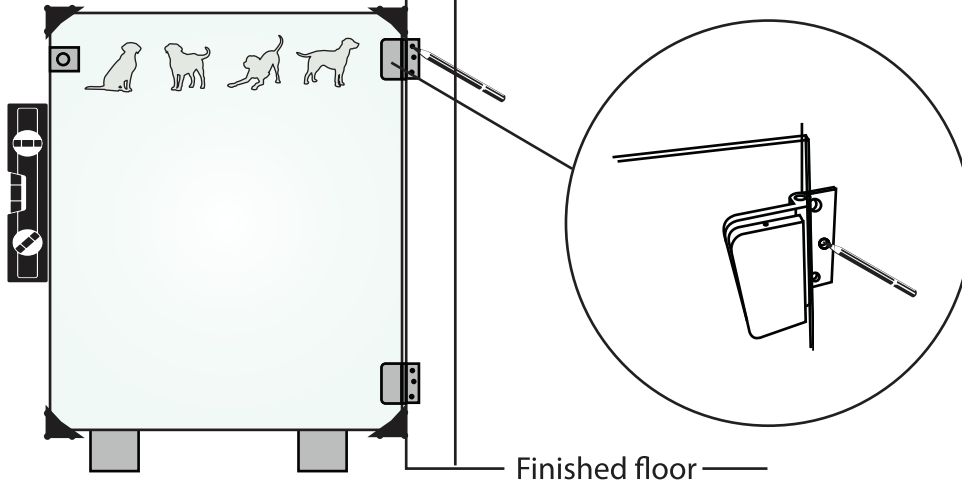
Place the glass gate at 90 degrees to the opening and sit it onto 80mm wooden spacers provided

Check the gate is upright and square with a spirit level  
Now mark all screw hole positions



IMPORTANT 

Do Not remove the corner protectors



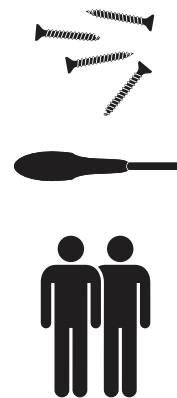
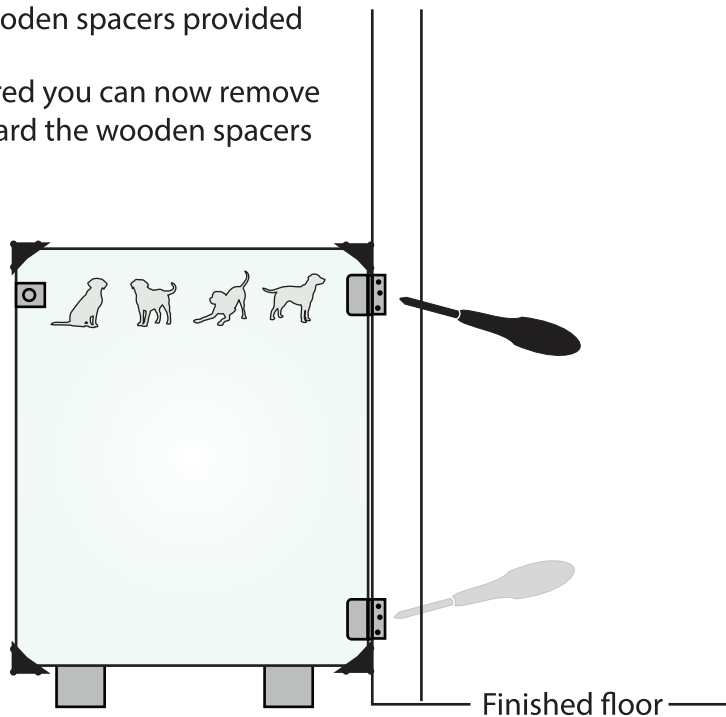
2

Drill all screw holes with a 2.5/3mm 'Pilot' drill bit  
( this will help reduce the risk of splitting the timber frame)



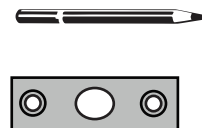
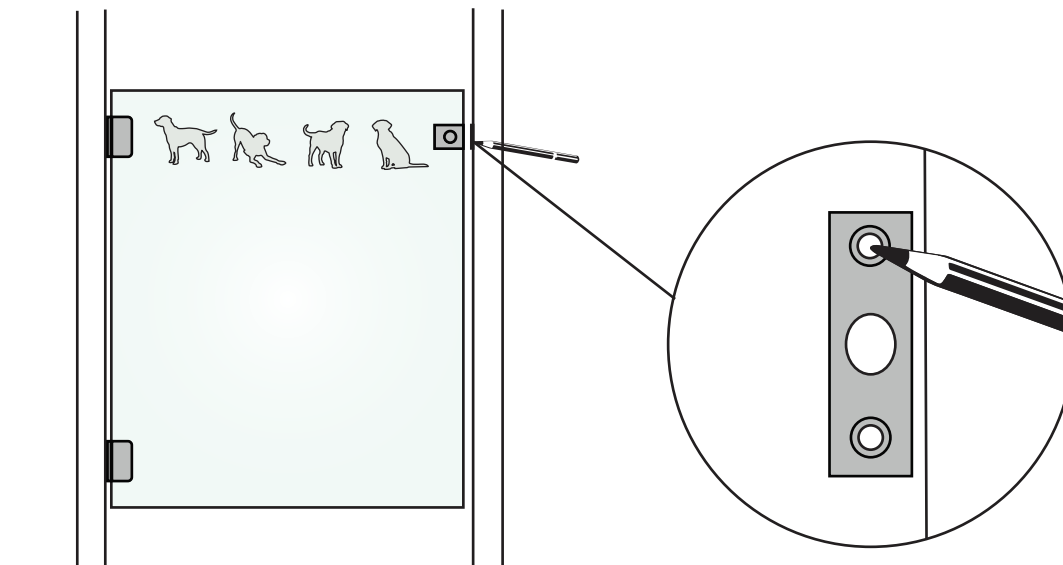
3

Lift the gate back onto the wooden spacers provided and fit the screws supplied once all fixing have been secured you can now remove the corner protectors and discard the wooden spacers

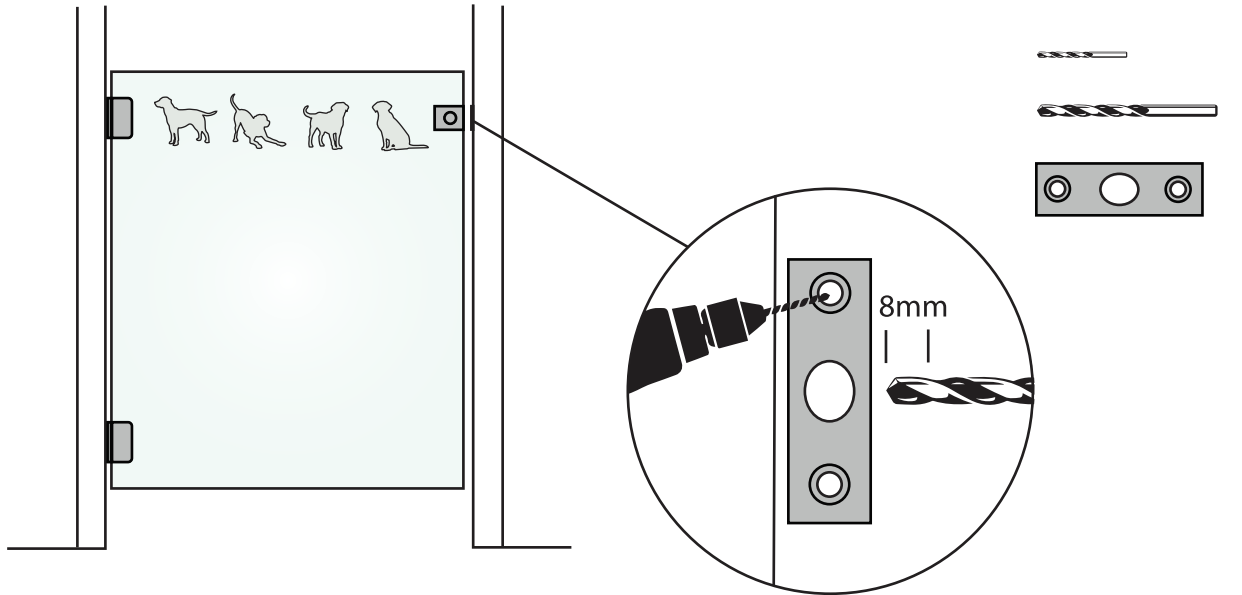


4

Close the gate and place the lock keep into position now mark all holes



- 5 Drill the two screw holes with a 2.5/3mm 'Pilot' drill bit and drill the Bolt hole to a 'min' depth of 8mm with a 10mm drill bit



- 6 Simply screw the lock keep in place with the screws provided, and check the bolt alignment.



Your 'CLEARVIEW DOG GATE' is now ready to use